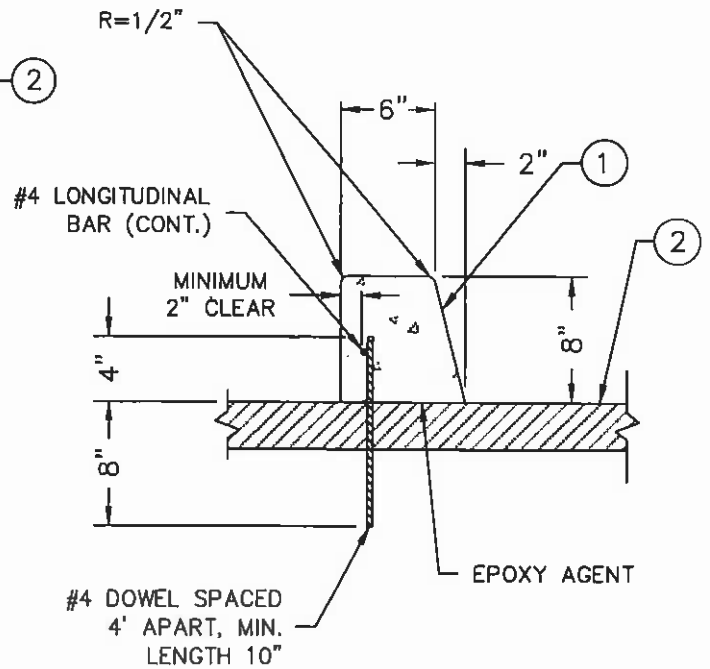


TYPE A
N.T.S.



TYPE B
N.T.S.

- ① CLASS "A" CONCRETE, LIGHT BROOM FINISH. PLACE 1-1/2 INCH DEEP TOOL JOINTS AT 12 FOOT INTERVALS.
- ② ASPHALT CONCRETE PAVEMENT.

NOTES:

- A. TYPE "A" SHALL BE INSTALLED USING ASPHALTIC EMULSION BETWEEN THE CONCRETE CURB AND THE ASPHALT CONCRETE.
- B. TYPE "B" SHALL BE INSTALLED USING AN EPOXY BONDING AGENT.

THE CITY OF WEST SACRAMENTO - STANDARD DETAIL

APPROVED BY:  CITY ENGINEER
C- 38733 P.E. NO. 3/31/05 DATE

REVISION:	
REVISION:	
REVISION:	
REVISION:	

TITLE:

MEDIAN AND BARRIER CURB

STANDARD DETAIL #: 203

