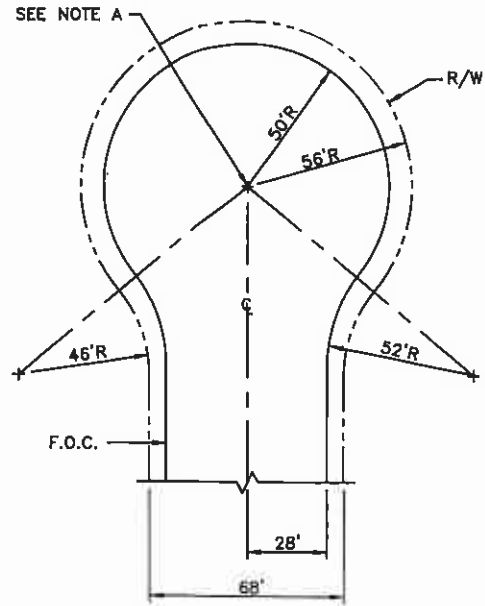
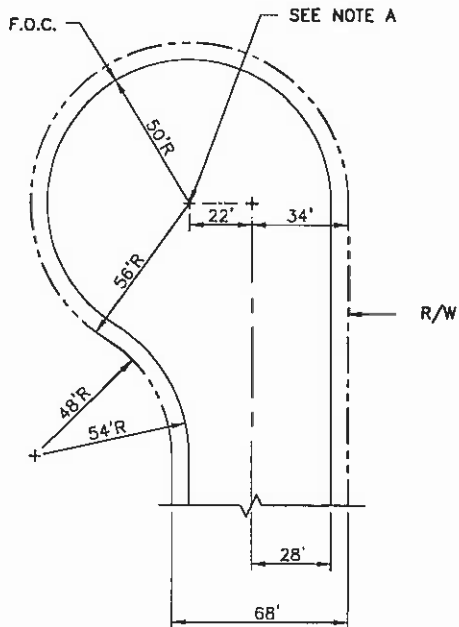


STANDARD EXPANDED CORNER



STANDARD CUL-DE-SAC



**STANDARD CUL-DE-SAC
(OFFSET)**

NOTES:

- A. CROWN TO BE 1.20 FEET ABOVE FLOW LINE OF GUTTER AT ITS HIGHEST POINT.
- B. ON EXPANDED CORNERS, CENTERLINE CROWN SHALL BE EQUALIZED BETWEEN LIPS OF GUTTER IN THE KNUCKLE.

THE CITY OF WEST SACRAMENTO – STANDARD DETAIL

APPROVED BY:  CITY ENGINEER
 C-38733 P.E. NO. 3/31/05 DATE

REVISION:	
REVISION:	
REVISION:	
REVISION:	

TITLE: **COMM. & INDUST.
CUL-DE-SACS & EXP.
CORNER COLLECTOR
SOUTHPORT**

STANDARD
DETAIL #: 225

