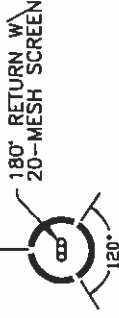
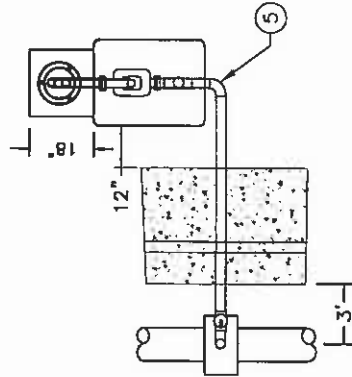


NOTES:

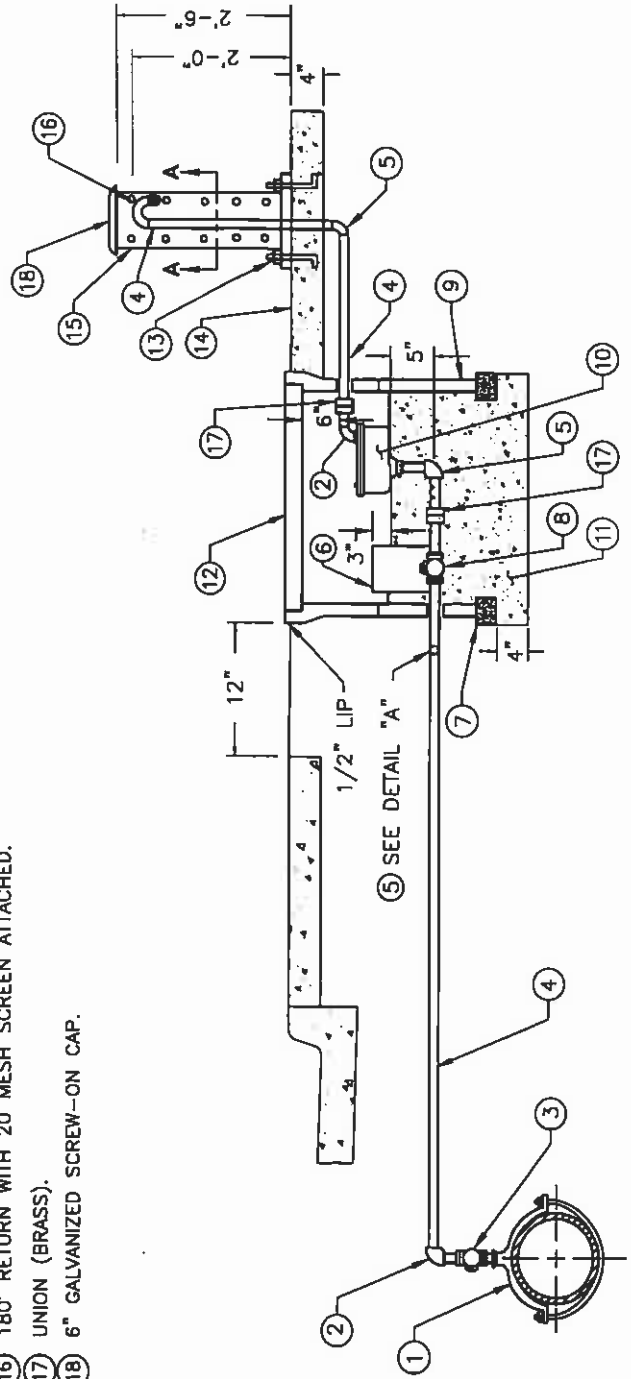
- A. MAINTAIN A GRADE UPWARD FROM CORP. STOP TO AIR VALVE (NO TRAPS).
- B. PIPING SIZED TO MATCH SIZE OF ARV.
- C. GALVANIZED PIPE HOUSING AND CAP SHALL BE PAINTED WITH (2) COATS OF "SPEED-E-ENAMEL - HUNTER GREEN" BY ZYNOLYTE AND ONE (1) COAT OF PRIMER OR APPROVED EQUAL.
- D. CORPORATION STOP TO BE PLACED ON TOP OF MAIN AS SHOWN.



SECTION A-A

DETAIL 'A'

- 1 BRONZE SERVICE SADDLE (DOUBLE STRAP).
- 2 COPPER FLARE QUARTER BEND CONNECTION.
- 3 CORPORATION STOP (BALL VALVE).
- 4 STANDARD WATER SERVICE MATERIAL.
- 5 FITTINGS SAME AS PIPE MATERIAL.
- 6 6" PVC SLEEVE.
- 7 STANDARD MASONRY SUPPORT (BRICK).
- 8 CORPORATION STOP (BALL VALVE) WITH COPPER FLARE STRAIGHT CONNECTIONS.
- 9 EXTENSIONS AS REQUIRED.
- 10 COMBINATION AIR/VACUUM RELEASE VALVE: VAL-MATIC VALVE AND MANUFACTURING CORPORATION MODEL 201C.
- 11 1/2" CRUSHED ROCK. FILL TO BOTTOM OF VALVE.
- 12 CHRISTY B1730 REINFORCED CONCRETE BOX WITH CHRISTY B1730-51JH COVER.
- 13 3 - 3/8" X 3 1/2" STAINLESS STEEL ANCHOR BOLTS.
- 14 18" SQUARE CONCRETE PAD.
- 15 6"Ø GALVANIZED PIPE WITH FLANGE ANCHORED TO CONCRETE PAD.
- 16 180° RETURN WITH 20 MESH SCREEN ATTACHED.
- 17 UNION (BRASS).
- 18 6" GALVANIZED SCREW-ON CAP.



THE CITY OF WEST SACRAMENTO - STANDARD DETAIL

APPROVED BY:  CITY ENGINEER C-38733 P.E. NO. 3/31/05 DATE

REVISION:	
REVISION:	
REVISION:	
REVISION:	

TITLE:
**1" AND 2"
 AIR AND VACUUM
 RELEASE VALVE**
 STANDARD
 DETAIL #: 510

