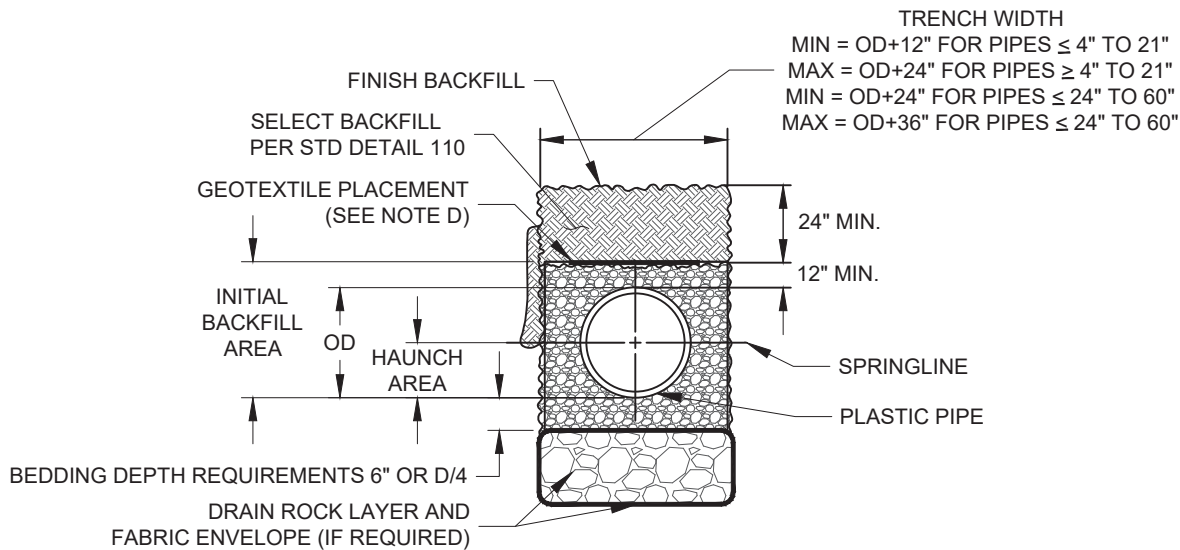


**BACKFILL REQUIREMENTS FOR REINFORCED
CONCRETE PIPE AND DUCTILE IRON PIPE 4" TO 72" DIAMETER**



**BACKFILL REQUIREMENTS FOR
PLASTIC PIPE 4" TO 60" DIAMETER ONLY**

NOTES:

- A. TRENCH EXCAVATION, BEDDING, AND BACKFILL SHALL BE PER SECTION 12 OF THE CITY STANDARD CONSTRUCTION SPECIFICATIONS (DIV IV) AND STANDARD DETAIL #110.
- B. INITIAL BACKFILL MATERIAL SHALL BE PLACED AND THOROUGHLY COMPACTED AROUND THE PIPE. INITIAL BACKFILL MATERIAL SHALL BE CRUSHED ROCK FOR STORM DRAIN AND SEWER PIPE AND SAND FOR WATER PIPE IN ACCORDANCE WITH SECTION 12.09 OF THE CITY STANDARD CONSTRUCTION SPECIFICATIONS. JETTING IS NOT ALLOWED.
- C. IF MINIMUM TRENCH WIDTH CANNOT BE ACHIEVED, CONTRACTORS SHALL SUBMIT AN ALTERNATIVE BACKFILL DESIGN FOR CITY REVIEW AND APPROVAL.

NOTES (CONTINUED):

- D. GEOTEXTILE FABRIC ENVELOPE SHALL BE INSTALLED AROUND DRAIN ROCK LAYER (IF REQUIRED) AND INITIAL BACKFILL AREA. OVERLAP THE FABRIC EDGES AT LEAST TWO (2) FEET ON TOP OF EACH FABRIC ENVELOPE. PLACE UTILITY MARKING TAPE ON TOP OF THE INITIAL BACKFILL FABRIC ENVELOPE.
- E. CONTROLLED LOW STRENGTH MATERIAL (CLSM) MAY BE SUBSTITUTED FOR GRANULATED MATERIALS. CLSM SUBMITTAL SHALL BE PROVIDED AND WRITTEN CITY APPROVAL IS REQUIRED. PIPE SHALL BE FULLY ANCHORED TO PREVENT FLOTATION.

THE CITY OF WEST SACRAMENTO - STANDARD DETAIL



APPROVED: Aug. X, 2025

STANDARD
DETAIL #

111

TITLE:

**TRENCH BEDDING
AND INITIAL BACKFILL**

