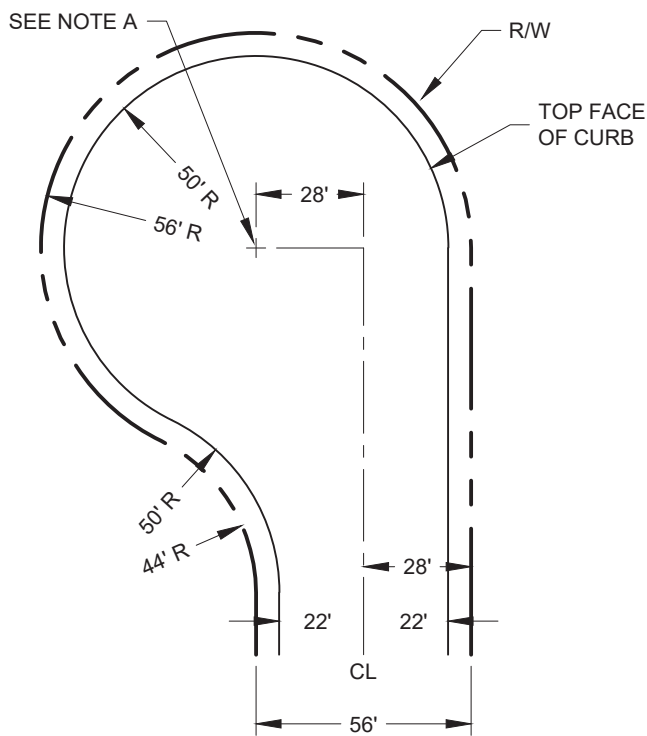


STANDARD EXPANDED CORNER

STANDARD CUL-DE-SAC



STANDARD CUL-DE-SAC (OFFSET)

NOTES:

- A. CROWN TO BE 1.20 FEET ABOVE FLOW-LINE OF GUTTER AT ITS HIGHEST POINT.
- B. ON EXPANDED CORNERS, CENTERLINE CROWN SHALL BE EQUALIZED BETWEEN LIPS OF GUTTER IN THE KNUCKLE.

THE CITY OF WEST SACRAMENTO - STANDARD DETAIL



APPROVED: Aug. X, 2025

STANDARD
DETAIL #

224

TITLE:
**COMM. INDUST. LOCAL
CUL-DE-SACS &
EXPANDED CORNER
SOUTHPORT AREA**

