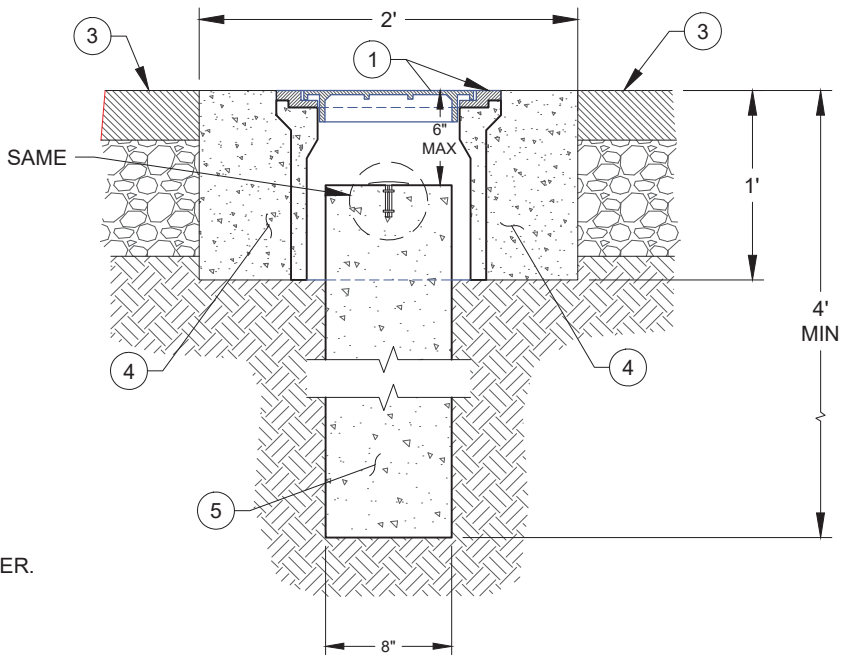
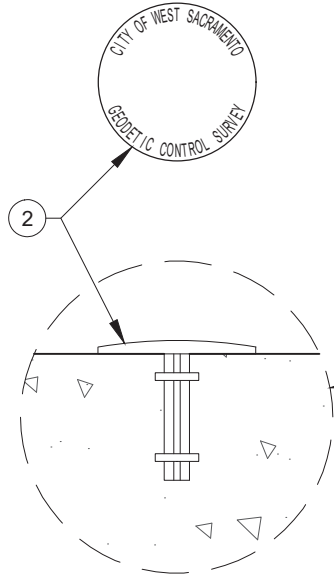


**PLAN VIEW**



**SECTION "A-A"**

**NOTES:**

- A. THE R.C.E. OR L.S. NUMBER MUST APPEAR ON THE MONUMENT MARKER.
- B. MARK REFERENCE POINT WITH PUNCH MARK.

①	G05T (TRAFFIC RATED) CHRISTY BOX OR APPROVED EQUAL. LID SHALL BE ENTITLED "MONUMENT".
②	2½" OR 3" DIAMETER DOMED TOP SOLID BRASS SURVEY MARKER. BRASS CAPS SHALL BE STAMPED "CITY OF WEST SACRAMENTO" AND "GEODETIC CONTROL SURVEY", OR AS REQUIRED BY THE CITY ENGINEER.
③	STREET STRUCTURAL SECTION
④	MIN 4,000 PSI CONCRETE COLLAR WITH LAMP BLACK PIGMENT ADDED TO MATCH COLOR OF AC PAVEMENT. COLLAR SHALL MATCH ROADWAY SURFACE LEVEL.
⑤	8" DIAMETER CONCRETE POST WITH EMBEDDED SURVEY MARKER.

**THE CITY OF WEST SACRAMENTO - STANDARD DETAIL**



APPROVED: Aug. X, 2025

STANDARD  
DETAIL #

**243**

TITLE:

**GEODETIC SURVEY  
WELL MONUMENT  
(INSIDE OF ROADWAY)**

