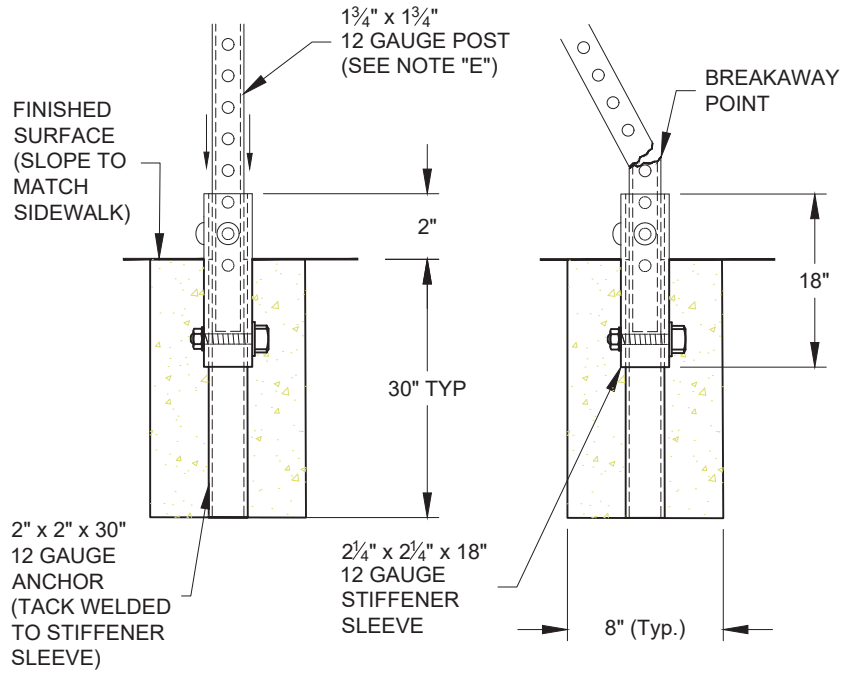


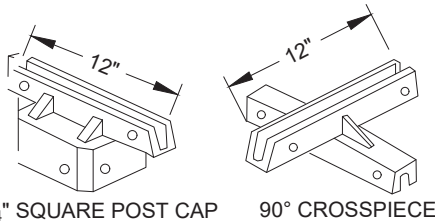
NOTES:

- A. ALL STREET NAME SIGNS SHALL BE INSTALLED PER THE LATEST EDITION OF THE CALIFORNIA MUTCD AND CALTRANS STANDARD PLANS & SPECIFICATIONS.
- B. FASTEN SIGNS TO POSTS WITH BLADE HOLDER 1 3/4" X 1 3/4" X 12" SQUARE POST CAP STYLE 812, WITH 12" 90° CROSSPIECE AND BOLTS OR APPROVED EQUAL. SEE BELOW.
- C. BLOCK NUMBER AND ARROWS (WHEN APPLICABLE) SHALL CORRESPOND WITH THE DIRECTION ON EACH FACE OF SIGN PLATE.
- D. ALL LETTERING SHALL BE CENTERED ON ALUMINUM PLATE WITH A CLEARANCE OF NOT LESS THEN 0.5" TO EDGE OF BORDER.
- E. ANCHOR AND STIFFENER ARE TO BE TACK WELDED TOGETHER IF NOT DONE BY MANUFACTURER. INSERT BOLT IN THE ANCHOR/STIFFENER TO PROVIDE 16" INSERTION LENGTH OF POST BELOW FINISH GRADE. INSERT POST INTO ANCHOR/STIFFENER RESTING ON THE BOLT. ATTACH DRIVE RIVETS ABOVE FINISH GRADE THROUGH ANCHOR/STIFFENER AND POST AS SHOWN. DRIVE RIVETS SHALL BE INSTALLED IN HOLES FACING TRAFFIC AND EDGE OF ROAD.
- F. CORE DRILL SIDEWALK 8" X 30" OR REMOVE COMPLETE SIDEWALK PANEL. FILL FOOTING AND REPLACE SIDEWALK PANEL WITH 4,000 PSI MIN CONCRETE PER STATE STANDARD SPECIFICATIONS SECTION 90-2.

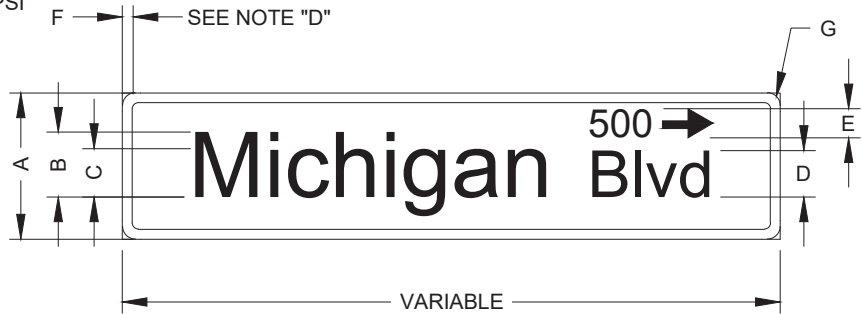
FOOTING DETAIL



SIGN BLADE HOLDERS



STREET NAME SIGN DETAIL



STREET NAME SIGN SPECIFICATIONS

DIMENSIONS IN INCHES							
A	B	C	D	E	F	G	
9	6*	4 1/2*	3*	2	1/2	1" RADIUS	
FIRST LETTER OF EACH WORD = UPPER CASE LETTER REMAINING LETTERS OF EACH WORD = LOWER CASE LETTERS							
COLORS BORDER & LETTERS = WHITE (REFLECTIVE) BACKGROUND = GREEN (REFLECTIVE)							

* HAWKINS F.B. 118 OR APPROVED EQUAL STREET NAME SIGN 9" DOUBLE-FACED 1/8" ALUMINUM PANEL. LETTER SIZE SHALL BE T2000 HWY "B", 6" UPPERCASE AND 4 1/2" LOWERCASE WITH WHITE LETTERING ON GREEN BACKGROUND WITH 3" SUFFIX (e.g. Rd, Ave, Blvd ETC.) 2" BLOCK NUMBERING WITH ARROW (WHEN APPLICABLE), AND A 1/2" WHITE BORDER. ALL REFLECTIVE SHEETING SHALL BE 3M DIAMOND GRADE DG3 SERIES 4000 OR APPROVED EQUAL.

THE CITY OF WEST SACRAMENTO - STANDARD DETAIL



APPROVED: Aug. X, 2025

STANDARD
DETAIL #

252

TITLE:
**GROUND-MOUNTED
SIGN FOOTING
& SIGN DETAILS**

