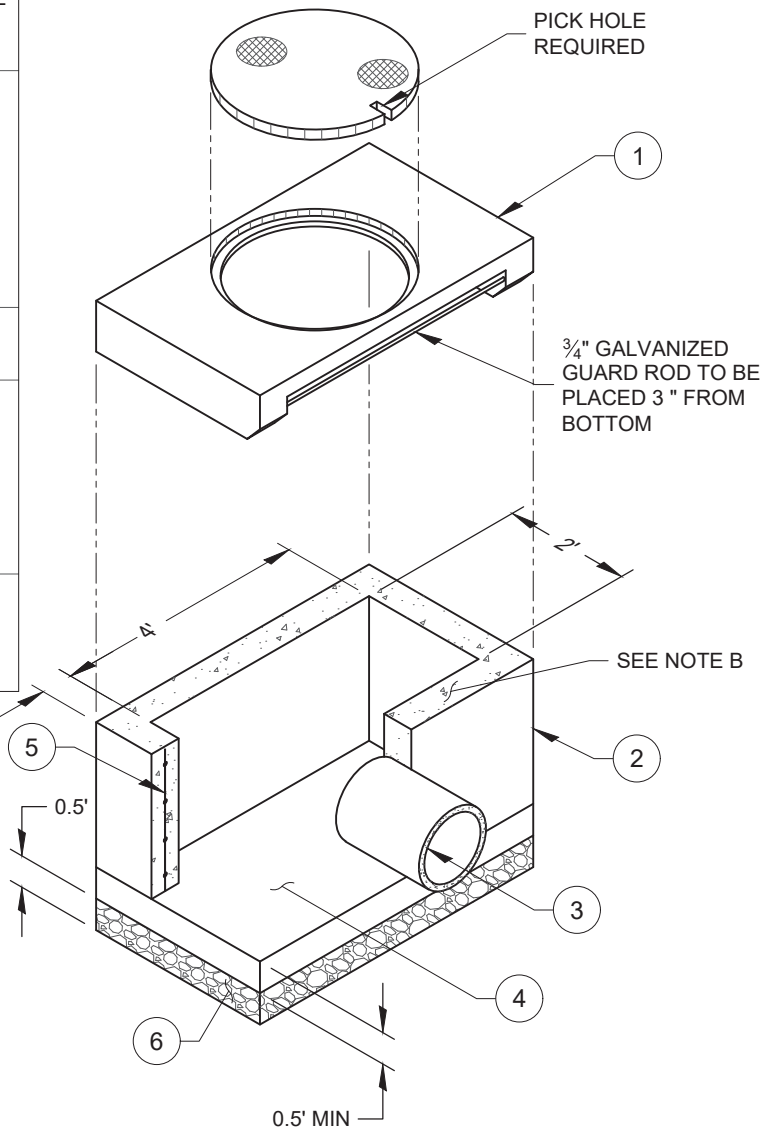


①	SANTA ROSA MODEL 4A OR CITY APPROVED EQUAL WITH SOUTH BAY FOUNDARY FRAME AND COVER No. 1934 MARKED "STORM DRAIN".
②	CAST-IN-PLACE OR PRECAST CONCRETE CATCH BASIN. STRUCTURE WALLS, BASE AND TOP SHALL BE MIN 4,000 PSI CONCRETE.
③	IF CATCH BASIN IS PRE-CAST, REMOVE KNOCKOUT FOR OUTLET PIPE AND FILL VOID WITH MIN 4,000 PSI CONCRETE MATCHING WALL THICKNESS WHEN PLACING PIPE. ADD A 12" WIDE CONCRETE COLLAR, 6" THICK, AT THE OUTLET PIPE AND EXTERIOR OF THE CATCH BASIN WALL.
④	SLOPE BOTTOM 2 INCHES AND CHANNEL TO PIPE INVERT.
⑤	#4 REBAR @ 12 INCHES O.C. EACH WAY AND CARRIED THROUGH ALL CORNERS. MIN 1" CLEAR COVER ALL DIRECTIONS. REBAR LAYOUT AND PLACEMENT SHALL BE SUBMITTED FOR APPROVAL FOR ALL CAST-IN-PLACE CATCH BASINS.
⑥	MINIMUM SIX (6) INCHES OF 3/4 INCH CRUSHED ROCK PER ASTM D448 #67 COMPACTED TO 95% RELATIVE COMPACTION.



NOTES:

- A. IF INLET IS NOT INSTALLED IN SIDEWALK, PLACE A 6 INCH WIDE BY 12 INCH NON-REINFORCED CONCRETE COLLAR, (MIN. 4,000 PSI) AROUND JOINT OF PRECAST TOP SECTION AND PRECAST BOX SECTION.
- B. IF DEPTH (PIPE FLOW LINE TO TOP OF CURB) IS 8 FEET OR MORE, INCREASE WALL THICKNESS TO 8 INCHES.
- C. IF INLET/BASIN IS INSTALLED ADJACENT TO EXISTING CURB, GUTTER AND/OR SIDEWALK, DRILL AND INSTALL 12" LENGTHS OF #4 REBAR @ 18" O.C. PER DIVISION IV OF THESE CITY STANDARDS. REBAR HOLES SHALL BE CLEANED AND EPOXY PLACED WHEN INSERTING THE REBAR. WHEN ATTACHING TO EXISTING CONCRETE, REDUCE REBAR TO ALLOW 2" CLEARANCE FROM THE END OF THE REBAR TO INTERIOR SURFACES OF THE CATCH BASIN AS APPROPRIATE.

THE CITY OF WEST SACRAMENTO - STANDARD DETAIL



APPROVED: Aug. X, 2025

STANDARD
DETAIL #

301

TITLE:

**CURB INLET AND
CATCH BASIN**

