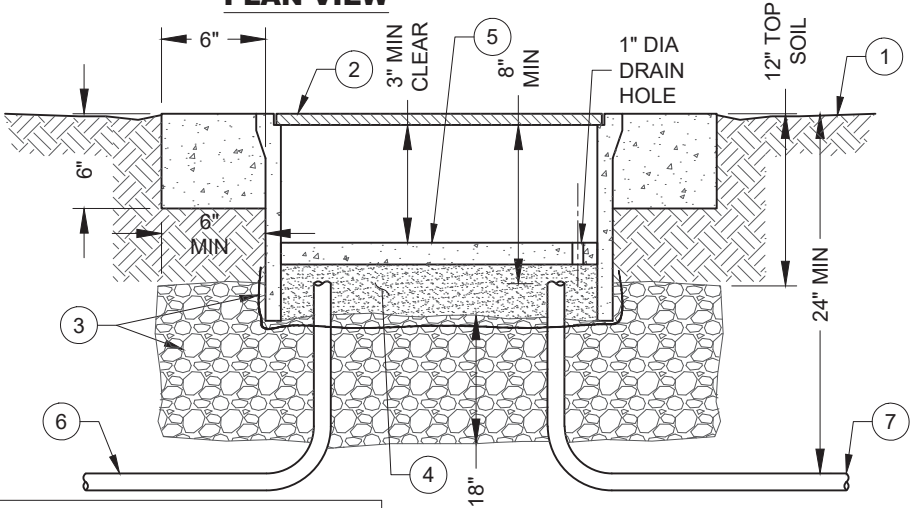


PLAN VIEW



SIDE VIEW

①	FINISH GRADE
②	MIN 3½ UTILITY PULL BOX WITH LOCKING COVER MARKED "STREET LIGHTS" PER CITY AUTHORIZED MATERIAL LIST OR APPROVED EQUAL.
③	PEA GRAVEL BACKFILL FOR DRAINAGE. PLACE FILTER FABRIC BETWEEN PEA GRAVEL AND SAND LAYER AS SHOWN.
④	PLACE SAND BACKFILL TO COMPLETELY COVER CONDUITS AND CONDUCTORS.
⑤	2" OF SLURRY CEMENT BACKFILL PER SECTION 37-3.02E OF THE STATE STANDARD SPECIFICATIONS OR MORTAR MIX WITH WRITTEN CITY APPROVAL.
⑥	CONDUIT TO UTILITY PROVIDER SPLICE BOX PER UTILITY PROVIDER REQUIREMENTS.
⑦	MIN. 1" CONDUIT TO STREET LIGHT WITH #8 BARE BOND WIRE & CIRCUIT CONDUCTORS AS INDICATED ON THE PLANS OR AS REQUIRED BY THE UTILITY PROVIDER.
⑧	SIX (6) INCH BY SIX (6) CONCRETE COLLAR AROUND UTILITY BOX. CONCRETE SHALL BE MIN. 4,000 PSI MIX. SLOPE COLLAR AWAY FROM UTILITY BOX

NOTES:

- A. INSTALL CONDUIT AND CONDUCTORS TO UTILITY PROVIDER SECONDARY SPLICE BOX. UTILITY WILL PROVIDE CONNECTION WITHIN SPLICE BOX. CONSULT UTILITY FOR PROPER LOCATION.
- B. INSTALL DUCT SEAL IN CONDUIT ENDS.
- C. THE STREET LIGHT CABLE MUST COME UP INTO THE SAME END OF THE BOX AS ALL OF THE OTHER CABLES.

THE CITY OF WEST SACRAMENTO - STANDARD DETAIL



APPROVED: Aug. X, 2025

STANDARD
DETAIL #
601

TITLE:
**STREET LIGHT
SERVICE POINT**

